

DENTAL SOLENOID VALVES

[Kushako](http://www.kushako.com)

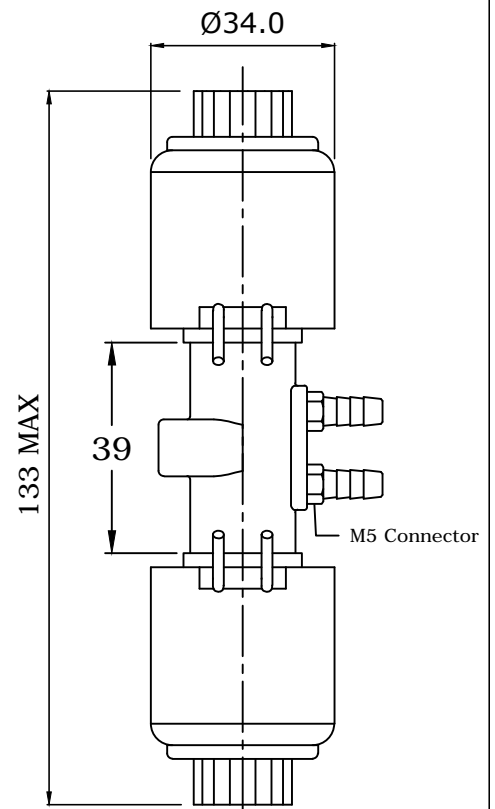
2/2 Direct acting Twin Solenoid Valve

Features :

- Wide range of coil voltages.
- Continuous duty cycle.
- Low temperature of operation.
- Noiseless performance.
- Coil can be rotated by 360°.

Technical Specifications :

| | | | | |
|---------------------------|-----------------------------------|-----|----|----|
| Model | DSV | | | |
| Medium | Compressed air / Water | | | |
| Port Size | G1/4 BSP (F) | | | |
| Ambient / Medium temp | 5° - 60° C | | | |
| Orifice (NW) | 1.8 | 2.4 | | |
| Operating pressure (bar) | 0 - 10 | | | |
| Flow rate (Ltr / Min) | 140 | 180 | | |
| Electrical | | | | |
| Voltage (V) ± 10% | AC | | DC | |
| | 24 | 230 | 12 | 24 |
| Power Consumption (Watts) | 6 | | 8 | |
| Duty Cycle | Continuous | | | |
| Type of coil protection | IP65 | | | |
| Class of insulation | Class - F | | | |
| Materials of construction | Aluminium, Brass, Stainless Steel | | | |



[Kushako](http://www.kushako.com)

Manufactured by :

Kushako India

Office : 490, Narayan Peth, Opp. Pune Marathi Granthalaya, Pune - 411030. (Maharashtra), Website : www.kushakoindia.com

Works : Sr.No. 25/1A, Village Nanded, Sinhgad Road, Tal - Haveli, Dist. Pune -411041

Tel. No : 901169077 / 7620674777

E-mail : kushako.india@gmail.com / kushakoindia1992@gmail.com